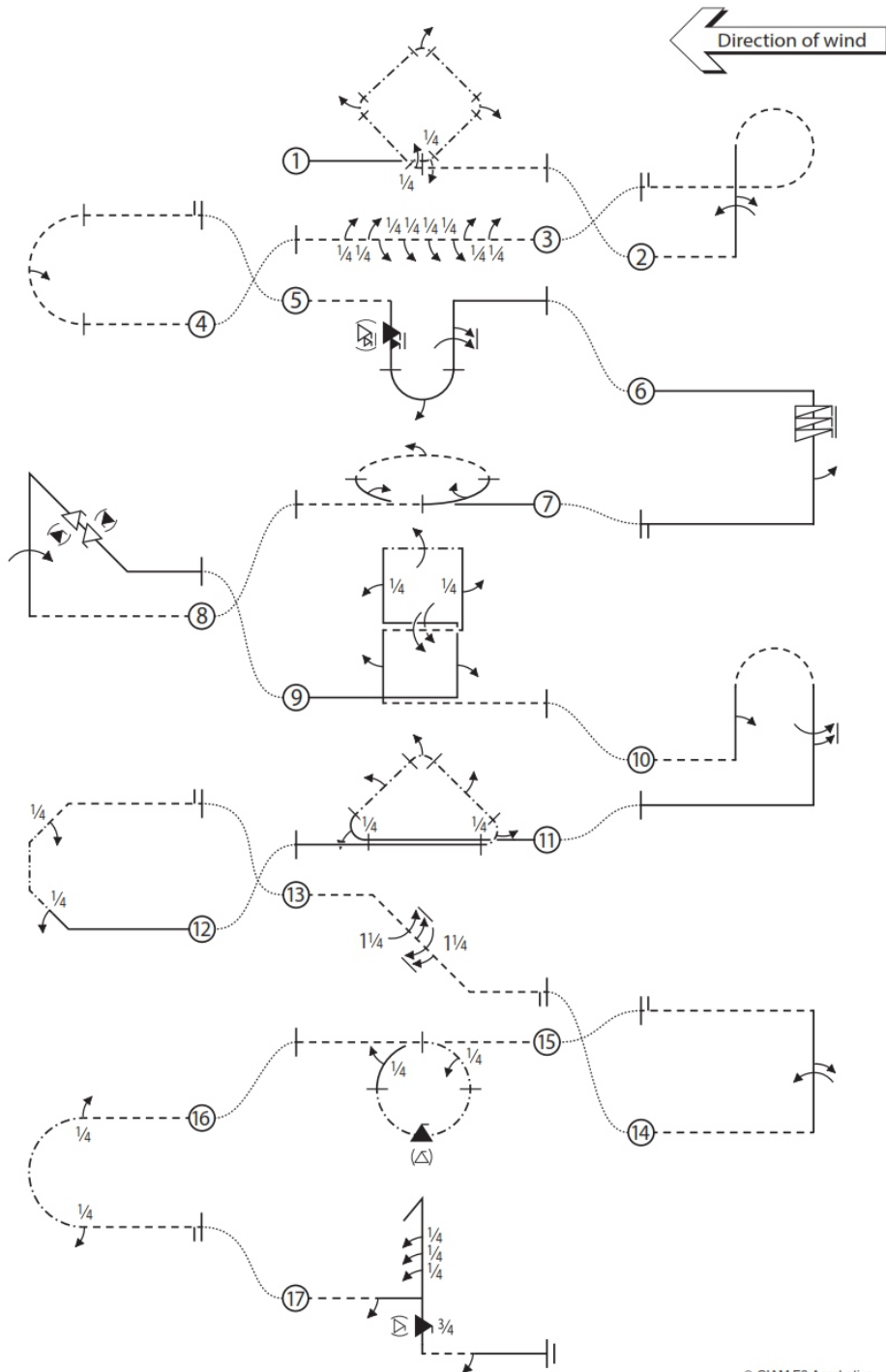


FINAL SCHEDULE F-25 (2024-2025)



© CIAM F3 Aerobatics
Drawings by Ken Hirose
Nov. 2020

FAI F-25		
	Maneuver	KF
1	Square loop on corner with quarter roll integrated, half roll integrated, half roll integrated, half roll integrated, quarter roll integrated (U)	4
2	Figure nine with roll, half roll in opposite directions (T)	3
3	Roll combination with consecutive two quarter rolls, four consecutive quarter rolls in opposite direction, two consecutive quarter rolls in opposite direction (D)	4
4	Half Loop with half roll integrated (T)	4
5	Pull Pull Push Humpty Bump with one and half snap rolls, half roll integrated, one and a half rolls (U)	5
6	Three Turn Spin with half roll (T)	3
7	Horizontal Circle with three half rolls in opposite direction integrated (D)	5
8	Shark Fin with roll, two snap rolls in opposite directions (T)	4
9	Square Vertical Eight with half roll, roll, quarter roll, roll, quarter roll, roll, half roll (U)	5
10	Push Push Pull Humpty Bump with half roll, one and a half rolls (T)	3
11	Knife-edge Triangle with quarter roll integrated, half roll, half roll integrated, half roll, quarter roll integrated (D)	5
12	Half Eight Sided Loop with quarter roll, quarter roll (T)	3
13	Forty Five Degree Downline with two consecutive one and a quarter rolls in opposite directions (U)	4
14	Half Square Loop with roll, half roll in opposite directions (T)	3
15	Avalanche (from top) with quarter roll integrated, snap roll, quarter roll integrated (D)	6
16	Knife Edge Split S with quarter roll, quarter roll (T)	4
17	Stall Turn with half roll, three quarter rolls, three quarter snap roll, half roll (U)	5
Total K-factor		70